



HEATING AND COOLING SOLUTIONS

ZENA

DESIGNED TO IMPRESS

Engineered in Europe with the latest technology, Zena's stylish and elegant design seamlessly integrates into the modern home.

BEST FOR:

- MODERN CONTEMPORARY ROOMS
- HEATING OR COOLING A SMALL AREA OF YOUR HOME
- MAINTAINING ROOM AMBIENCE



MULTI COLOUR MONITOR LAMP

LED lamp lights up a different colour based on operation mode for easy identification and convenient monitoring at a glance.



POWERFUL OPERATION

Push the POWERFUL button on the remote control and you'll be relieved with a cooling or heating boost for a 20 minute period, even if the unit's already operating at high capacity.



COMFORT AIRFLOW

Discharge louvres are specially designed to stream cooling air upwards along the ceiling (coanda effect) and warm air down along the floor. This delivers rapid cooling or heating and even temperature distribution.

3.2kW
-TO-
5.8kW
RATED HEATING
CAPACITIES

6
MODELS

REVERSE
CYCLE
SILVER OR
WHITE FINISH



SENSITIVE
CHOICE
ASTHMA - RESPIRATORY
FOUNDATION NZ



R32
NEW REFRIGERANT GAS



DAIKIN
MOBILE CONTROLLER
INCLUDED



PROGRAM DRY FUNCTION

Besides reducing humidity, this function automatically controls temperature and airflow rate and will cleverly switch into cooling mode if the room temperature rises too much.



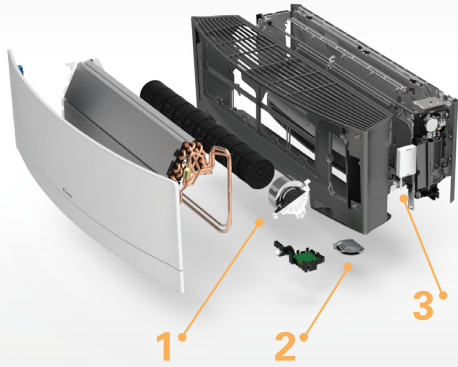
2-AREA INTELLIGENT EYE

An infrared human presence sensor helps prevent cold draughts and enables energy saving operations when the room is unoccupied for 20 minutes.



ADVANCED PURIFICATION

Each model is fitted with a titanium apatite deodorising air purification filter that traps microscopic particles, decomposes odours and even deactivates bacteria.



TECHNOLOGY

1. DC FAN MOTOR

Daikin's DC Fan Motor is efficient and compact, featuring five step fan speed including quiet and auto mode.

2. MULTI COLOUR MONITOR LAMP

LED lamp lights up a different colour based on operation mode for easy identification and convenient monitoring at a glance.

3. INTEGRATED CONNECTIVITY

The included D-Mobile Wireless LAN module can be conveniently placed into an internal housing compartment in the Zena indoor unit.



Daikin Mobile Controller (Included)

Daikin's Mobile Controller allows you to control your Daikin Split System from anywhere, anytime.

SPECIFICATIONS

INDOOR UNIT		FTXJ25PVMAW	FTXJ35PVMAW	FTXJ50PVMAW	FTXJ25PVMAS	FTXJ35PVMAS	FTXJ50PVMAS
OUTDOOR UNIT		RXJ25PVMA	RXJ35PVMA	RXJ50PVMA	RXJ25PVMA	RXJ35PVMA	RXJ50PVMA
Rated Capacity	Cool (kW)	2.5	3.5	5.0	2.5	3.5	5.0
	Heat (kW)	3.2	4.0	5.8	3.2	4.0	5.8
Capacity Range	Cool (kW)	0.9-3.3	0.9-4.1	1.4-5.5	0.9-3.3	0.9-4.1	1.4-5.5
	Heat (kW)	0.9-4.7	0.9-5.1	1.1-7.0	0.9-4.7	0.9-5.1	1.1-7.0
Indoor Airflow Rate (H)	Cool (l/s)	138	177	180	138	177	180
	Heat (l/s)	173	198	207	173	198	207
Indoor Fan Speeds		5 steps, quiet and automatic					
Energy Label/Star Ratings	Cool	4.5	3	2	4.5	3	2
	Heat	4.5	3.5	2.5	4.5	3.5	2.5
Front Panel Colour		White			Silver		
Power Supply		1 phase, 220-240V, 50Hz					
Power Input (Rated)	Cool (kW)	0.54	0.92	1.47	0.54	0.92	1.47
	Heat (kW)	0.7	0.99	1.59	0.7	0.99	1.59
E.E.R/C.O.P	Cool/Heat	4.63/4.57	3.80/4.04	3.40/3.65	4.63/4.57	3.80/4.04	3.40/3.65
A.E.E.R/A.C.O.P	Cool/Heat	4.59/4.54	3.78/4.02	3.39/3.64	4.59/4.54	3.78/4.02	3.39/3.64
Dimensions (HxWxD)	Indoor (mm)	303x998x212			303x998x212		
	Outdoor (mm)	550x765x285		735x825x300	550x765x285		735x825x300
Weight	Indoor (kg)	12	12	12	12	12	12
	Outdoor (kg)	34	34	47	34	34	47
Compressor Type		Hermetically Sealed Swing Type					
Refrigerant Type		R32					
Max Pipe Length	(m)	20	20	30	20	20	30
Max Level Difference	(m)	15	15	20	15	15	20
Pipe Sizes	Liquid (mm)	6.4	6.4	6.4	6.4	6.4	6.4
	Gas (mm)	9.5	9.5	12.7	9.5	9.5	12.7
Outdoor Operating Range	Cool (°CDB)	-10 to 46					
	Heat (°CWB)	-15 to 18					
Indoor Sound Level (H/SL)	Cool (dBA)	38/19	45/20	46/32	38/19	45/20	46/32
	Heat (dBA)	41/19	45/20	47/32	41/19	45/20	47/32
Outdoor Sound Level (H)	Cool (dBA)	46/43	48/45	48/45	46/43	48/45	48/45
	Heat (dBA)	47/44	48/45	48/45	47/44	48/45	48/45
Outdoor EPA Sound Power Level (H)	Cool (dBA)	58	60	60	58	60	60
	Heat (dBA)	59	60	60	59	60	60

Notes: 1. The rated capacity is measured in accordance with AS/NZS 3823.1.1
 2. The cooling (or heating) output capacity will be reduced below the rated value as the outdoor temperature approaches the maximum (or minimum) outdoor temperature operating range limit.

3. The specifications, designs & information in this flyer are subject to change without notice. Unit colours shown are as close as possible to actual unit colours. Colours depicted in this flyer may vary slightly.

Your Local Daikin Specialist Dealer:



daikin.co.nz